

Lynx 400 Fryers

Key features

- Type: Electric
- Counter top unit
- Removable control panel and element
- Thermostatic control (130-190°C)
- Fail-safe top temperature cut-out



LDF2

Construction

- Body: stainless steel grade 430
- Tanks: stainless steel grade 304
- Baskets: chrome plated

Available Options

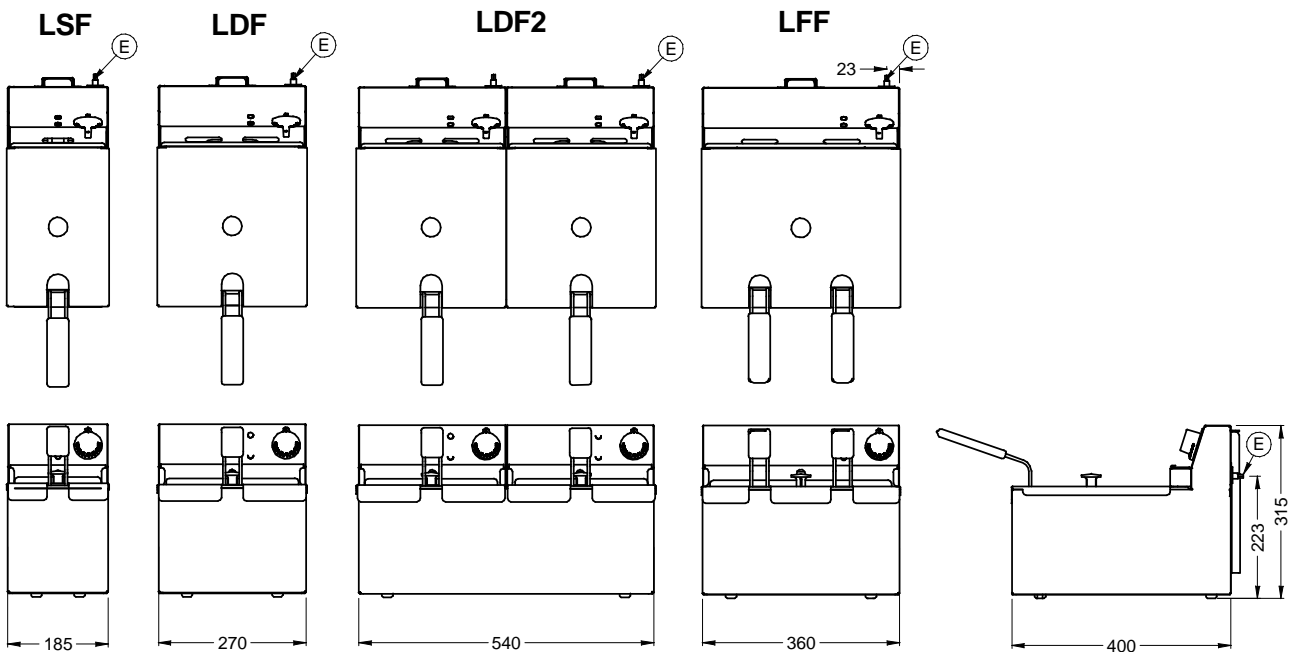
- Single tank (slim version)
- Single tank (general purpose)
- Twin tank (general purpose)
- Single tank (wide version for fish)

Available Accessories

- N/A

Specifications

Model	LSF	LDF	LDF2	LFF
External height (mm)	315	315	315	315
External width (mm)	185	270	540	360
External depth (mm)	400	400	400	400
No. of tanks	1	1	2	1
No. of baskets	1	1	2	2
Basket capacity h x w x d (mm)	85 x 110 x 229	85 x 190 x 208	85 x 190 x 208	85 x 110 x 228
Oil capacity (litres)	2.5	4	2 x 4	5
Net weight unpacked (kg)	6	7.5	14	9.5
Gross weight packed (kg)	9	10	17	12
Shipping volume (m ³)	0.090	0.090	0.145	0.131
Total power rating (kW)	2.5	3	2 x 3	3
Electrical supply 1N~+E 230V 50-60Hz Current Rating (A)	10.8	13	26	13



**LinCat Limited, Whisby Road,
Lincoln LN6 3QZ,
United Kingdom**

UK Sales Tel: 01522 875500 UK Spares Tel: 01522 875510 UK General Tel: 01522 875555
 UK Fax: 01522 875530 International Sales Tel: +44 1522 503250 International Fax: +44 1522 875530
 Website: www.lincat.co.uk UK Sales e-mail: sales@lincat.co.uk International Sales e-mail: export@lincat.co.uk



Document ref:
LYNXFRYERS
Issue date: Oct-09